

◆ **STEALTH TECHNOLOGY**
ELIMINATES BATTERY MAINTENANCE
AND BATTERY THEFT.

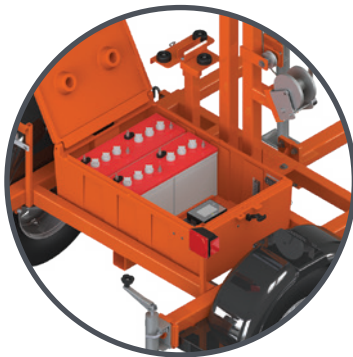
Ver-Mac's innovative stealth technology design will significantly help reduce your battery maintenance and repair costs.



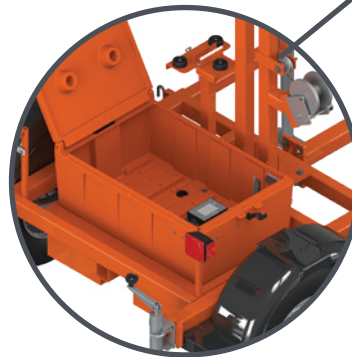
FEATURES AND BENEFITS

Ver-Mac's **Stealth Technology** was designed to eliminate two of the industry's biggest issues: battery maintenance and battery theft.

Ver-Mac's **Stealth Technology** utilizes sealed maintenance-free batteries stored in a cleverly hidden battery compartment. The sealed batteries prevents the equipment from shutting down due to lack of battery maintenance - filling batteries with water. The hidden storage compartment deters thieves from stealing batteries. Both features ensure continuous performance of the equipment and reduces maintenance, repair and labor costs.



STANDARD TRAILER-MOUNTED SPEED SIGN BATTERY STORAGE.



TRAILER-MOUNTED SPEED SIGN WITH VER-MAC'S STEALTH TECHNOLOGY*

*Available as an option

